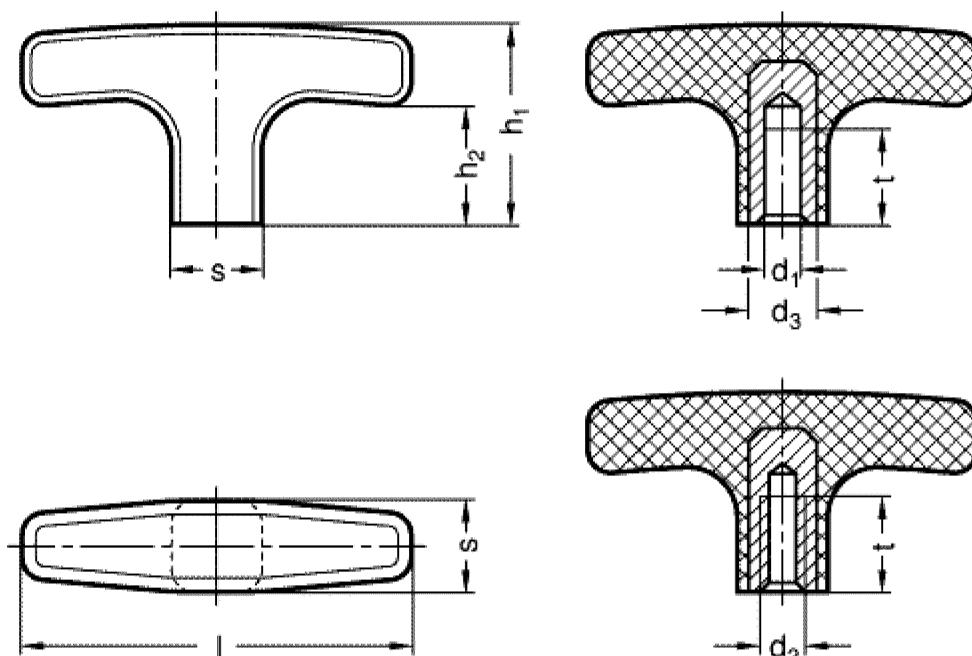


## GN 563 T-Handles



Length l	d1 H9 Bore B		d2 Thread			d3	h1	h2	s	t min.
<b>40</b>	<b>B6</b>	-	<b>M 6</b>	-	-	9	30	20	13	16
<b>55</b>	<b>B6</b>	-	<b>M 6</b>	<b>M 8</b>	-	10	33	22	14	18
<b>67</b>	<b>B6</b>	<b>B8</b>	<b>M 8</b>	-	-	11	37	25	16	20
<b>80</b>	<b>B6</b>	<b>B8</b>	<b>M 8</b>	<b>M 10</b>	<b>M 12</b>	14	41	26	20	25 / 18
<b>93</b>	<b>B6</b>	-	<b>M 10</b>	<b>M 12</b>	-	15	45	28,5	21	25 / 18

### Specification

Plastic Technopolymer  
(Polyamide PA)  
Glass fibre re-inforced  
Temperature resistant up  
to 130° C

black, matt

Bush in brass

### Information

T-handles GN 563 can be used on operating handles as well as on clamping fixtures. These handles lend themselves ideally for very high manual clamping forces.

### How to order

T-Handle

**GN 563-80-B8**

Code no. **563**  
Length l **80**  
d1(d2), **B8**