



GORREUX

PROGRAMME DE VENTES ONZE GAMMA

Rue de l'Ourchet, 7
B - 5030 BEUZET - GEMBLOUX (Belgium)

Tel. +32 (0)81 - 56 71 91

Fax +32 (0)81 - 56 77 91

e-mail : infog@gorreux.be

www.gorreux.be



BARREAUX EN ACIER RAPIDE

PRECISIESTAVEN

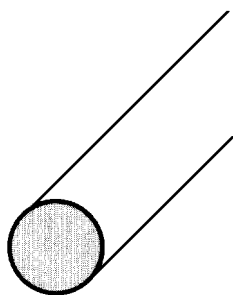
A light gray circular callout box with a black outline, connected to the main text area by two black lines forming a triangle. The box contains the website URL.

<http://www.gorreux.be>

Sous réserve de modifications techniques - technische wijzigingen voorbehouden

10701

BARREAUX RONDS EN ACIER RAPIDE
RONDE PRECISIESTAVEN

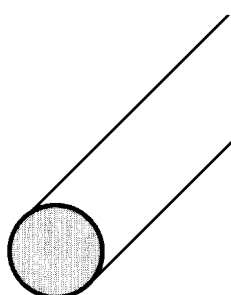



TOLERANCE-TOLERANTIE : h11

CODE	DIAM	L
1070104100	4	100
1070105100	5	100
1070106100	6	100
1070108100	8	100
1070108160	8	160
1070110100	10	100
1070110160	10	160
1070110200	10	200
1070112100	12	100
1070112160	12	160
1070112200	12	200
1070116100	16	100
1070116160	16	160
1070116200	16	200
1070120200	20	200

10702

BARREAUX RONDS en acier rapide 10% Co
RONDE PRECISIESTAVEN 10% Co

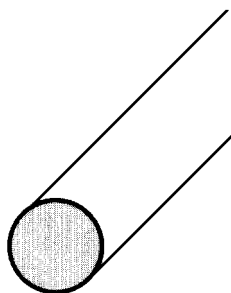



TOLERANCE-TOLERANTIE : h11

CODE	DIAM	L
1070204075	4	75
1070204100	4	100
1070205075	5	75
1070205100	5	100
1070206075	6	75
1070206100	6	100
1070206150	6	150
1070206200	6	200
1070208100	8	100
1070208150	8	150
1070208200	8	200
1070210150	10	150
1070210200	10	200
1070212150	12	150
1070212200	12	200
1070214150	14	150
1070214200	14	200
1070216150	16	150
1070216200	16	200

10703

BARREAUX RONDS en acier rapide 8% Co
RONDE PRECISIESTAVEN 8% Co

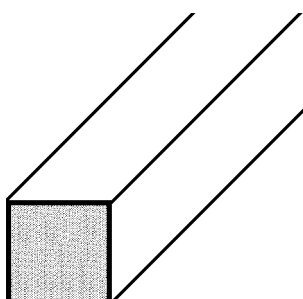


TOLERANCE-TOLERANTIE : h8

CODE	DIAM.	L
1070306100	6	100
1070306160	6	160
1070306200	6	200
1070308100	8	100
1070308160	8	160
1070308200	8	200
1070310160	10	160
1070310200	10	200
1070312160	12	160
1070312200	12	200
1070316160	16	160
1070316200	16	200

10704

BARREAUX CARRES EN ACIER RAPIDE
VIERKANTE PRECISIESTAVEN



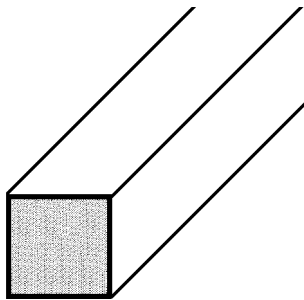
TOLERANCE-TOLERANTIE : h14

CODE	B X B	L
1070404100	4 X 4	100
1070405100	5 X 5	100
1070406063	6 X 6	63
1070406080	6 X 6	80
1070406100	6 X 6	100
1070408063	8 X 8	63
1070408080	8 X 8	80
1070408100	8 X 8	100
1070408160	8 X 8	160
1070410080	10 X 10	80
1070410100	10 X 10	100
1070410125	10 X 10	125
1070410160	10 X 10	160
1070410200	10 X 10	200
1070412080	12 X 12	80
1070412100	12 X 12	100

CODE	B X B	L
1070412125	12 X 12	125
1070412160	12 X 12	160
1070412200	12 X 12	200
1070414100	14 X 14	100
1070414160	14 X 14	160
1070414200	14 X 14	200
1070416100	16 X 16	100
1070416160	16 X 16	160
1070416200	16 X 16	200
1070418160	18 X 18	160
1070418200	18 X 18	200
1070420160	20 X 20	160
1070420200	20 X 20	200
1070425160	25 X 25	160
1070425200	25 X 25	200

10705

BARREAUX CARRES en acier rapide 5% Co
VIERKANTE PRECISIESTAVEN 5% Co

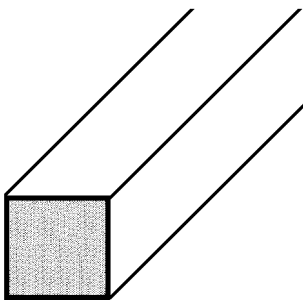



TOLERANCE-TOLERANTIE : h14

CODE	B X B	L
1070504100	4 X 4	100
1070505100	5 X 5	100
1070506063	6 X 6	63
1070506080	6 X 6	80
1070506100	6 X 6	100
1070506160	6 X 6	160
1070510080	10 X 10	80
1070510100	10 X 10	100
1070510125	10 X 10	125
1070510160	10 X 10	160
1070510200	10 X 10	200
1070512100	12 X 12	100
1070516100	16 X 16	100
1070516160	16 X 16	160
1070516200	16 X 16	200
1070518160	18 X 18	160
1070518200	18 X 18	200
1070520160	20 X 20	160
1070520200	20 X 20	200
1070525160	25 X 25	160
1070525200	25 X 25	200

10706

BARREAUX CARRES en acier rapide 10% Co
VIERKANTE PRECISIESTAVEN 10% Co

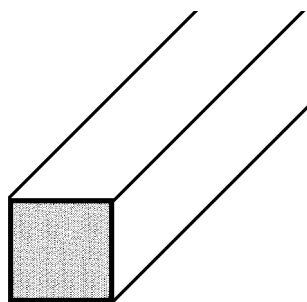



TOLERANCE-TOLERANTIE : h14

CODE	B X B	L
1070606075	6 X 6	75
1070606100	6 X 6	100
1070606150	6 X 6	150
1070606200	6 X 6	200
1070608075	8 X 8	75
1070608100	8 X 8	100
1070608150	8 X 8	150
1070608200	8 X 8	200
1070610100	10 X 10	100
1070610150	10 X 10	150
1070610200	10 X 10	200
1070612100	12 X 12	100
1070612150	12 X 12	150
1070612200	12 X 12	200
1070614150	14 X 14	150
1070614200	14 X 14	200
1070616150	16 X 16	150
1070616200	16 X 16	200
1070618150	18 X 18	150
1070618200	18 X 18	200
1070620150	20 X 20	150
1070620200	20 X 20	200
1070620250	20 X 20	250
1070625200	25 X 25	200

10707

BARREAUX CARRES en acier rapide 8% Co
VIERKANTE PRECISIESTAVEN 8% Co

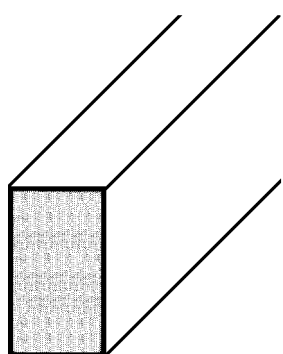



TOLERANCE-TOLERANTIE : h10-h13

CODE	B X B	L
1070706100	6 X 6	100
1070706160	6 X 6	160
1070706200	6 X 6	200
1070708100	8 X 8	100
1070708160	8 X 8	160
1070708200	8 X 8	200
1070710160	10 X 10	160
1070710200	10 X 10	200
1070712160	12 X 12	160
1070712200	12 X 12	200
1070716160	16 X 16	160
1070716200	16 X 16	200
1070720160	20 X 20	160
1070720200	20 X 20	200
1070725200	25 X 25	200

10708

BARREAUX RECTANGULAIRES en acier rapide
RECHTHOEKIGE PRECISIESTAVEN

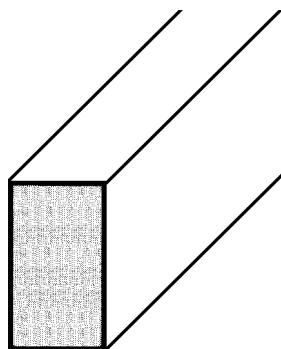



TOLERANCE-TOLERANTIE : h14

CODE	B X b	L
1070804100	4 X 6	100
1070805100	5 X 10	100
1070806160	6 X 10	160
1070806200	6 X 10	200
1070806300	6 X 12	160
1070806400	6 X 12	200
1070808160	8 X 12	160
1070808200	8 X 12	200
1070808300	8 X 16	160
1070808400	8 X 16	200
1070810160	10 X 16	160
1070810400	10 X 16	200
1070810500	10 X 20	160
1070810600	10 X 20	200
1070812160	12 X 20	160
1070812200	12 X 20	200
1070812300	12 X 25	200
1070816200	16 X 25	200

10709

BARREAUX rectangulaires en acier rapide 10% Co
RECHTHOEKIGE PRECISIESTAVEN 10% Co

CODE	B X b	L	CODE	B X b	L
1070903101	3 X 10	150	1070905202	5 X 20	200
1070903121	3 X 12	150	1070905252	5 X 25	200
1070903122	3 X 12	200	1070906101	6 X 10	150
1070903151	3 X 15	150	1070906102	6 X 10	200
1070903152	3 X 15	200	1070906121	6 X 12	150
1070903202	3 X 20	200	1070906122	6 X 12	200
1070904101	4 X 10	150	1070906151	6 X 15	150
1070904102	4 X 10	200	1070906152	6 X 15	200
1070904121	4 X 12	150	1070906202	6 X 20	200
1070904122	4 X 12	200	1070908121	8 X 12	150
1070904151	4 X 15	150	1070908122	8 X 12	200
1070904152	4 X 15	200	1070908151	8 X 15	150
1070904162	4 X 16	200	1070908152	8 X 15	200
1070904182	4 X 18	200	1070908202	8 X 20	200
1070904202	4 X 20	200	1070908252	8 X 25	200
1070905101	5 X 10	150	1070910152	10 X 15	200
1070905102	5 X 10	200	1070910201	10 X 20	150
1070905121	5 X 12	150	1070910202	10 X 20	200
1070905122	5 X 12	200	1070910252	10 X 25	200
1070905152	5 X 15	200	1070915252	15 X 25	200

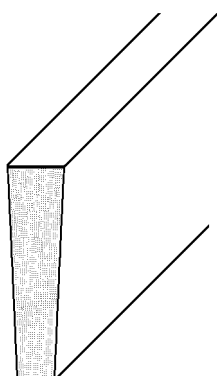
TOLERANCE-TOLERANTIE : h14

10710

BARREAUX TRAPEZOIDAUX en acier rapide
TRAPEZIUMVORMIGE PRECISIESTAVEN



ACIER RAPIDE
SNELSTAAL



CODE	B X b	L
1071001061	1,6 X 6	100
1071002101	2,5 X 10	100
1071003121	3 X 12	100
1071004161	4 X 16	100
1071004162	4 X 16	160
1071005201	5 X 20	100
1071005202	5 X 20	160
1071005203	5 X 20	200
1071006251	6 X 25	160
1071006252	6 X 25	200
1071008321	8 X 32	160
1071008322	8 X 32	200

ACIER RAPIDE 10% Co
SNELSTAAL 10% Co

CODE	B X b	L
1071103151	3 X 15	150
1071103152	3 X 15	200
1071103181	3 X 18	150
1071103182	3 X 18	200
1071103201	3 X 20	150
1071103202	3 X 20	200
1071104151	4 X 15	150
1071104152	4 X 15	200
1071104181	4 X 18	150
1071104182	4 X 18	200
1071104201	4 X 20	150
1071104202	4 X 20	200

TOLERANCE-TOLERANTIE : h14